

TK381/1 and TK381/2

Roll-Pack with Auto-Wrap

This versatile Roll-pack machine from Teknomac™ allows you to compress and roll-pack; simply compress, wrap, and seal units without rolling; or wrap and seal without full compression.

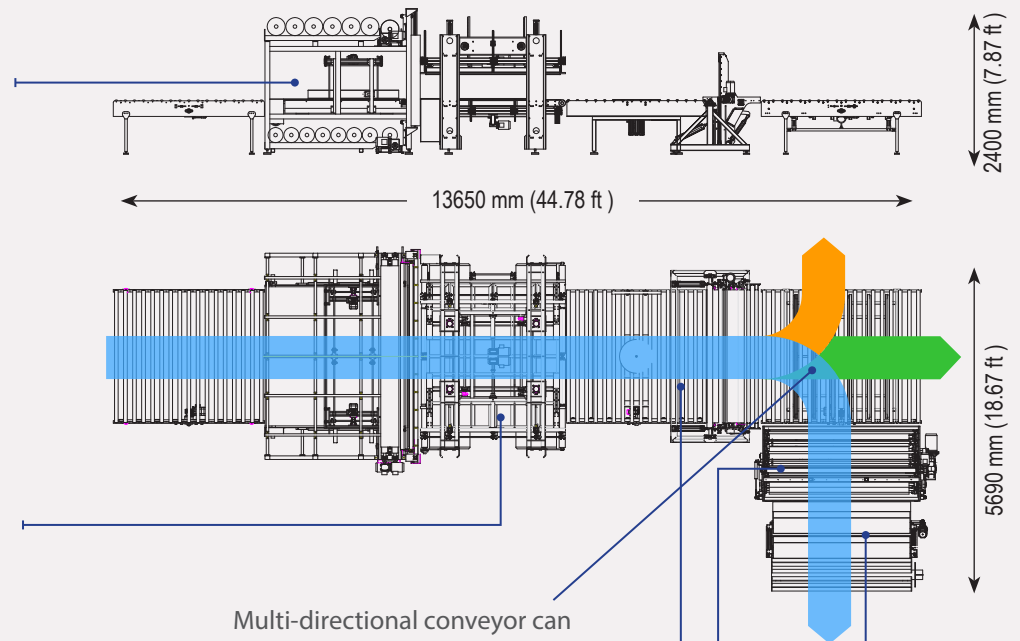


TK381 is a flexible system that can be combined with various material-handling components to fit your space and automation needs. The TK381/1 can wrap units 25-45 cm in diameter while the TK381/2 can wrap units 30-55 cm in diameter.

This configuration includes a 90-degree conveyor entering the rolling station and an optional lift mechanism upon exit.

The auto-wrap station automatically encases the product in film prior to entering the press stage using electronically controlled heat-seal bar for cross seal. It automatically detects the mattress height and positions it in the center or to the left or right of center as desired. Four rolls of film can be stored on top and bottom.

The heavy-duty press can exert 40 metric tons (44 tons) of pressure and handle a product up to 220 x 220 cm (87 x 87 in). It includes two side-seal heat bars and auto-trim feature for neat package appearance. The press uses a dual-pump system for a more efficient operation. One pump quickly lowers the press until the platen reaches the mattress, then a second pump exerts a slower, controlled compression to avoid product damage.

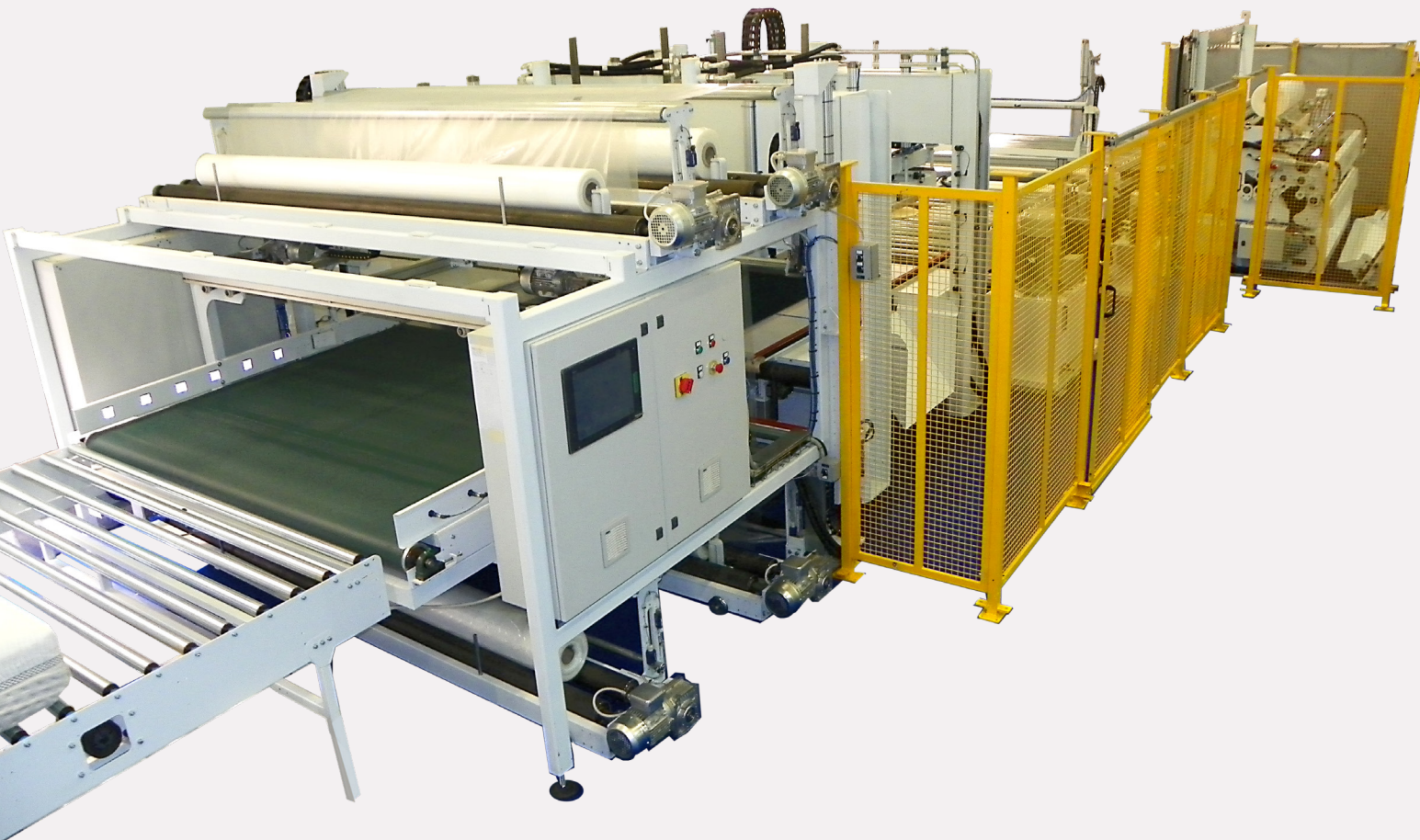


Multi-directional conveyor can turn the mattress and send it to the rolling unit or send non-rolled units in other directions.

Optional TK390 unit folds and turns large beds that need to fit into smaller shipping requirements.

Heavy-duty hydraulic rolling device is capable of rolling up to three units per minute. The unique, adjustable diameter features allow various-sized products to be wrapped at optimum diameter sizes – from 25-45 cm diameter (or 30-55 cm for TK381/2).

Optional ergonomic-friendly lift device can raise completed rolled unit from floor to a better working height.



SPECIFICATIONS	TK381/1 AND TK381/2
Max Mattress Width	87" (2.2 m)
Max Mattress Length	87" (2.2m)
Max height under pressure roller	20" (51cm)
Overall height	90" (228cm) not including film
Max film width	118" (3m)
Voltage (v/ph/hz)	380V,3 phase (Multi-Voltage Transformer Optional)
Current (amps)	32 (at 380V)
Air consumption (cfm)	3.2 CFM
Air pressure (psi)	80 to 95 PSI (5.5-6.5 bars)
Production (units/minute)	Up to 3 units per minute

- Can be used with foam, latex, Bonnell springs, and pocket springs.
- Configurable for a wide range of mattress product options.
- Drastically reduces labor in the packaging department.
- One of the most affordable systems in its class.

Gribetz® is a collection of the world's leading mattress machinery companies. These Gribetz machinery companies represent leading-edge technology in computerized quilting machines and panel cutters, automated and conventional sewing machines, material handling solutions, and mattress-packaging equipment.

800-326-4742 • 954-846-0300 • Gribetz.com



131 Zapletal Way
Carthage, MO 64836 USA

