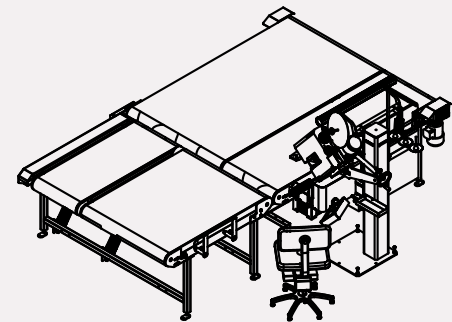
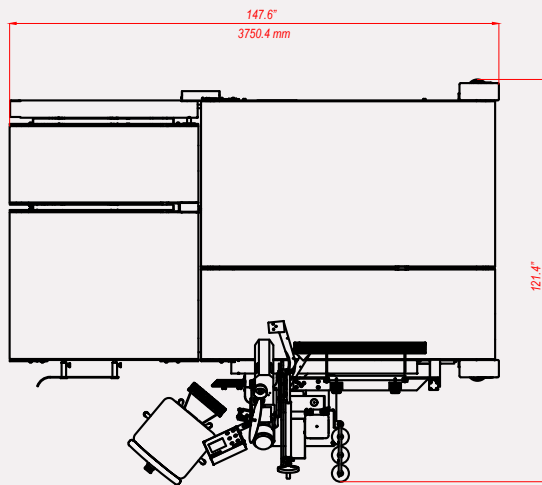
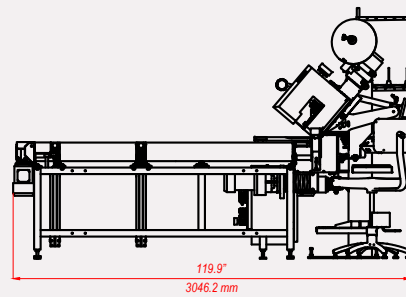
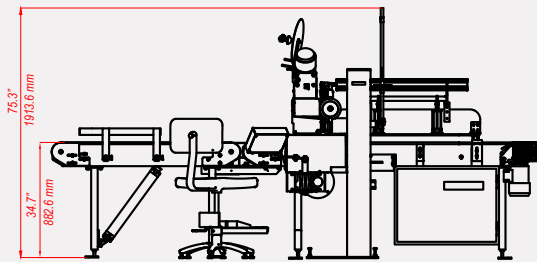




Mattress Master OPTIMA

Tape Edge Machine

Combining over 20 years in semi-automatic tape edging
with the latest technology from Gribetz.



SPECIFICATIONS	MM OPTIMA
Minimum Mattress Height	3.5" (90mm)
Maximum Mattress Height	13.5" (350mm)
Maximum Mattress Weight	370 lb (170 kg)
Sewing Head	300U as standard, upgradable to Pfaff 5625
Needle Size	180/24 or 160/23
Conveyor Height	34.4" +/- 1.9" (875mm +/- 50mm)
Machine Weight	3086.4 lb (1,400 kg) with Pfaff head
Power Supply	3.2 kw 380/415 VAC 3 phase 50 Hz (Option: 220 V 3 phase 50/60 Hz)
Compressed Air	6 bar, 85PSI

The Mattress Master OPTIMA is a highly productive, semi-automatic tape edging machine that utilizes a strong turning arm, flip device, and motorized belt tables to simplify the tape edge process.

- New-style pedestal and touchscreen controls
- Choice of sewing head options (300U is standard, optional Pfaff available)
- Same robust, high-quality build as all Gateway Mattress Masters
- More ergonomically safe than traditional manual operations
- Improves tape edge productivity and finished quality without the high-cost investment of skilled operators

Gribetz® is a collection of the world's leading mattress machinery companies. These Gribetz machinery companies represent leading-edge technology in computerized quilting machines and panel cutters, automated and conventional sewing machines, material handling solutions, and mattress-packaging equipment.

800-326-4742 • 954-846-0300 • Gribetz.com



131 Zapletal Way
Carthage, MO 64836 USA

